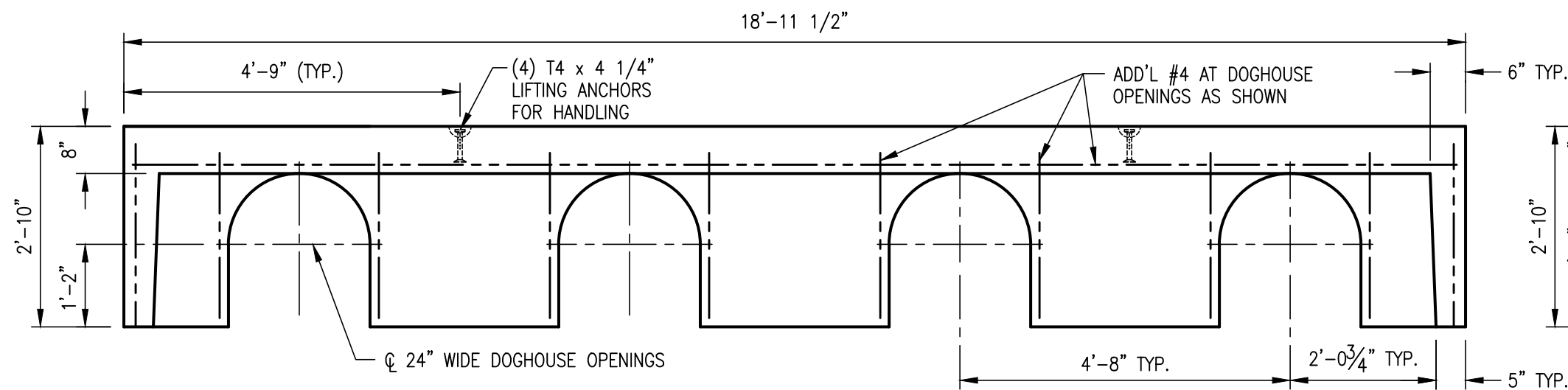
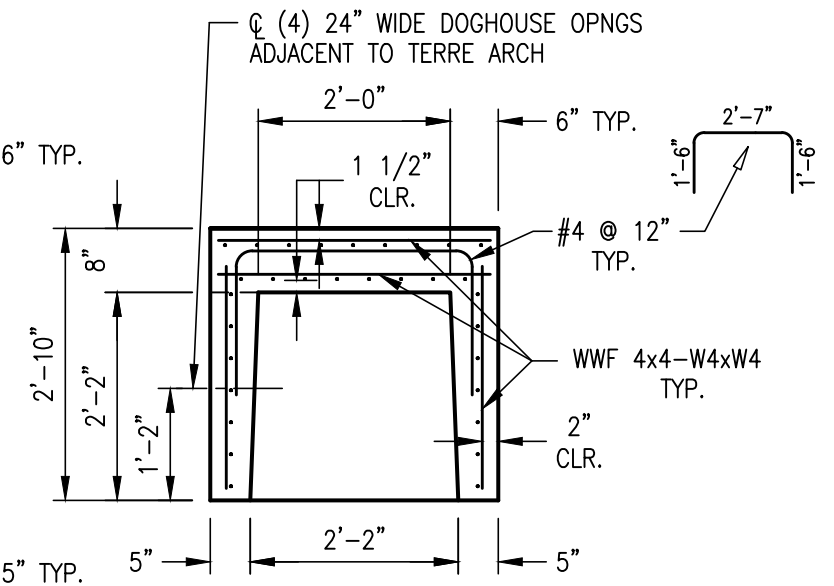


**PLAN - TYPICAL DISTRIBUTION MANIFOLD**




**SECTION A-A**



**SECTION B-B**

APPROX. WEIGHT:  
11,300 LBS.

REVISIONS	 <b>TERRE HILL</b> CONCRETE PRODUCTS <i>No better solution.</i> TERRE HILL, PA. (717)445-3100		
	TA26 TERRE ARCH DISTRIBUTION MANIFOLD		
	JOB:		
	CONT'R:		
	ENG'R:		
BY:	DATE:	SHT.1 OF 1	