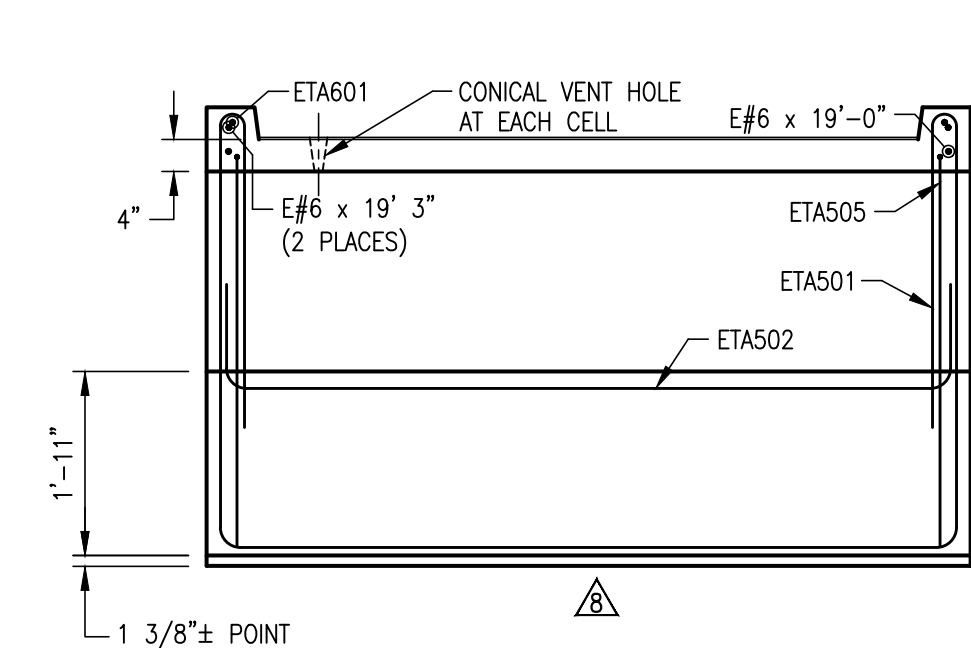
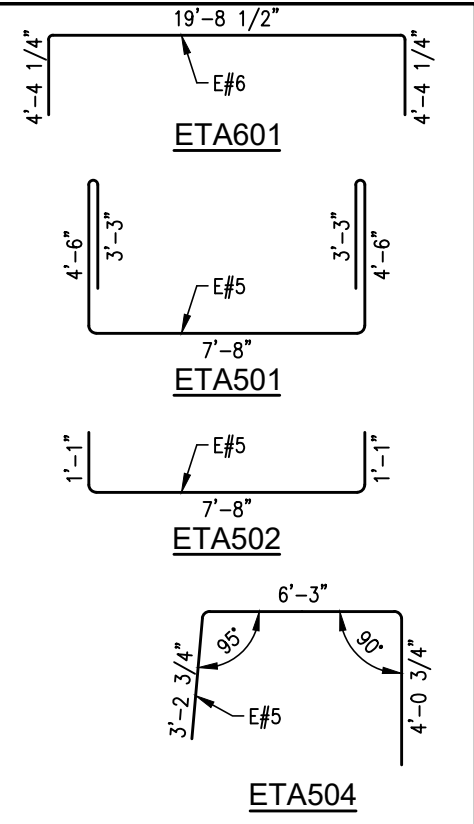
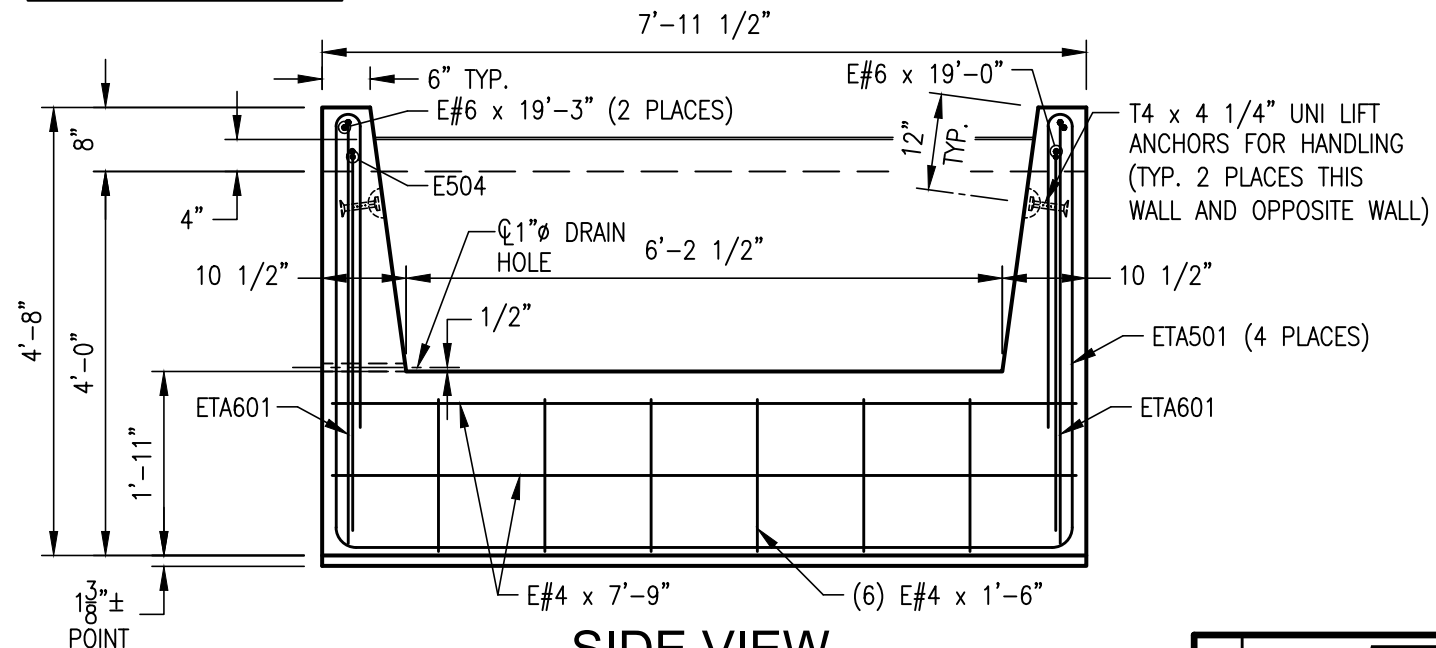


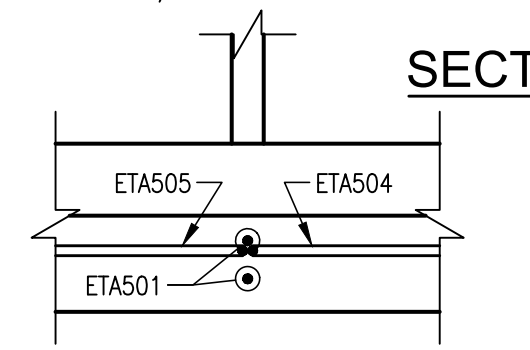
FRONT VIEW



SECTION A-A



SIDE VIEW



EXPANDED VIEW AT TOP OF LEG
STRAIGHT BARS & ETA601 NOT SHOWN

11-11-24 RLK MINOR DESIGN CHANGES

<p>TERRE HILL CONCRETE PRODUCTS <i>No better solution.</i> TERRE HILL, PA. (717)445-3100</p>	
<p>TERRE ARCH™ 48 WITH REINFORCING</p>	
JOB:	
CONT'R:	
ENG'R:	
BY: RLK	DATE: 2-24-12
SHT. 1 OF 1	

Copyright © 2019 Terre Hill Concrete Products

FILE no.