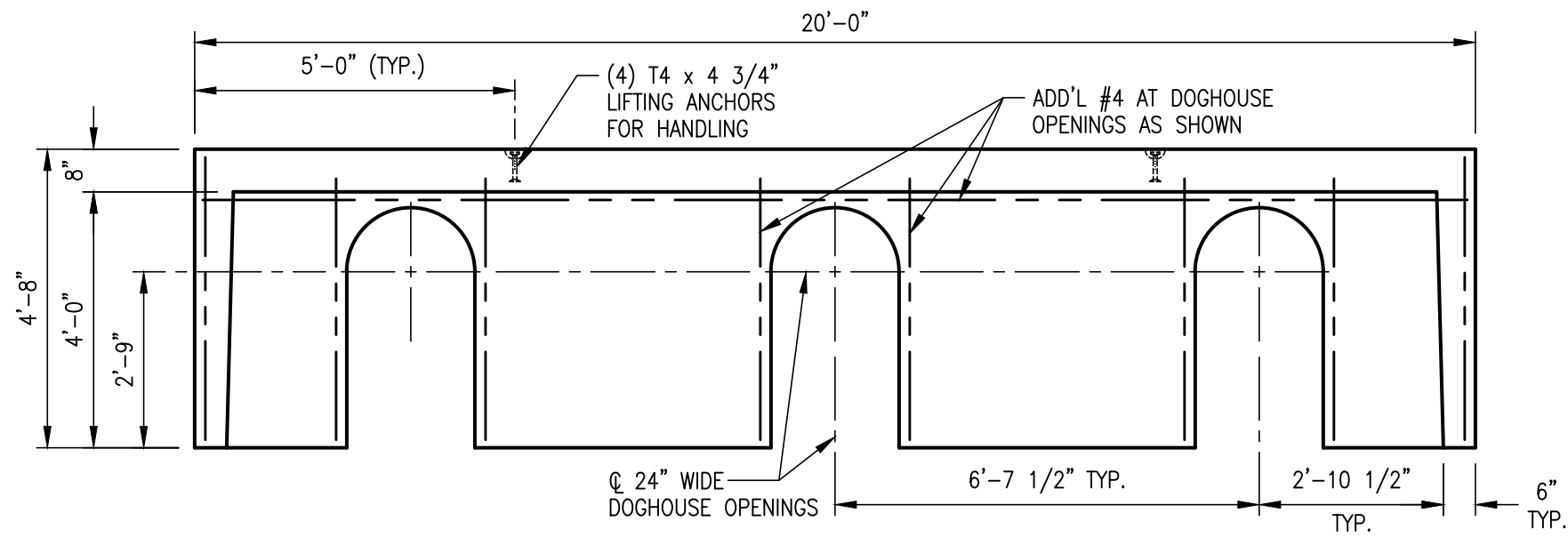
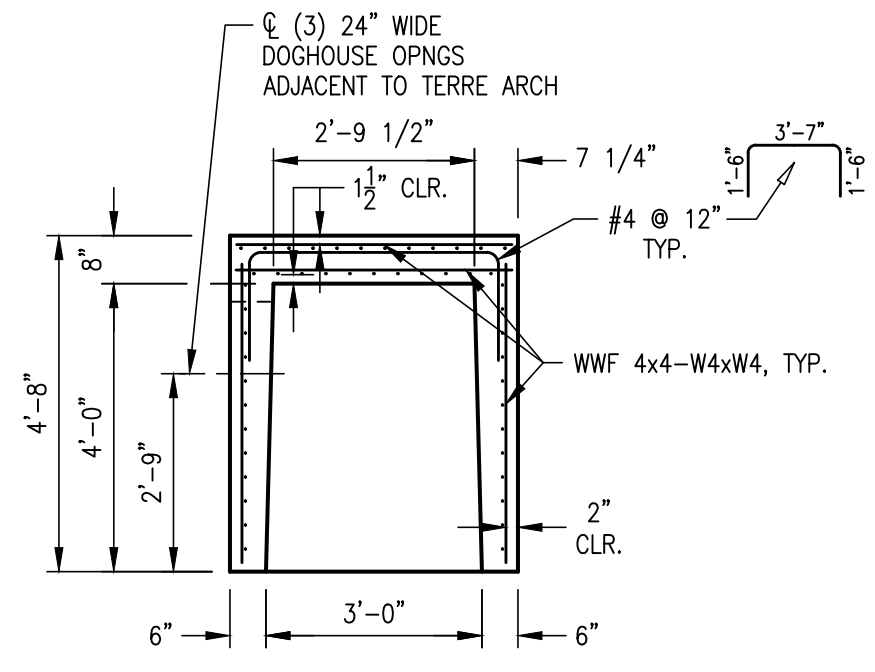


PLAN - TYPICAL DISTRIBUTION MANIFOLD



SECTION A-A



SECTION B-B

APPROX. WEIGHT:
22,200 LBS.



TERRE HILL, PA. (717)445-3100

TA48 TERRE ARCH
DISTRIBUTION MANIFOLD

JOB:

CONT'R:

ENG'R:

BY:

DATE:

SHT.1 OF 1